

ORWAK FLEX 4360

Compact general waste in 360 L bins in our waste compactor FLEX 4360! It is a robust and reliable machine with a compact and lightweight design. Thanks to the small footprint, it takes up little floor space. The 4360 is easy, safe and convenient to use! The multiple-chamber unit offers a top-loading setup, while the single-chamber version is based on the principle "Roll in! Compact! Roll out!".



SAFETY

ORWAK BENEFITS



MORE PRODUCTIVE USE OF TIME

Less time spent on waste handling, more time for your core activities!

MORE SPACE & ORDER

Our balers rapidly minimize the space the waste takes up, keeping aisles free and tidy.

LESS COSTS, MORE VALUE

More compaction = less waste volume to transport. Fewer transports required results in lower transportation costs and reduced CO₂ emissions. Sorting at source yields a higher quality of waste material for recycling.

WHY ORWAK FLEX?

- Versatile compaction for many different application areas
- Hygienic and safe compaction and disposal of mixed or hazardous waste
- Special solutions for special needs

 **ORWAK**
PART OF **SULO** GROUP

ORWAK FLEX 4360

Smart in-bin compaction solution

ORWAK FLEX 4360 is an in-bin waste compactor for standard two-wheeled 360 L bins.

IDEAL FOR GENERAL WASTE

The 4360 is perfect for the hotel and restaurant sector, where general waste needs to be disposed of in waste bins. The in-bin compactor provides impressive volume reduction, contributing to valuable space-saving and a more profitable waste management.

SAFE AND USER-FRIENDLY

Model 4360 is user-friendly! The multi-chamber version is a convenient top-loading installation, while the single-chamber version has an easy wheel-in, wheel-out operation.

Safety and quality are our hallmarks and the compactor provides maximum personal safety both for the operator and those in the immediate vicinity. A bin indicator assures that the machine can only start, when the bin is in the right position.



Designed to fit the standard 360 Liter bins in the market.

- User-friendly
- Safety switches on the hatch and the front door/apron

ORWAK FLEX 4360 IS OPTIMIZED FOR:

- SEMI-DRY WASTE** *Best suited for dry or semi-dry waste destined for landfill or incineration*
- General waste

SMART DESIGN

The 4360 is a robust and stable machine that, thanks to its compact design, occupies little floor space. A good finish and easy access make cleaning quick and simple.

EASILY EXTENDABLE

The compactor is easily extended with additional chambers. The front door on the single-chamber unit is then replaced by an apron for effortless movement of the press head from one chamber to the next.



The single-chamber unit with swing door



The multiple-chamber unit equipped with an apron with two handles

DIMENSIONS & SPECIFICATIONS

DIMENSIONS

| A | B | C | D | TRANSPORT HEIGHT |
|-----------------|-----------------|-----------------|-----------------|------------------|
| Single: 2275 mm | Single: 950 mm | Single: 980 mm | Single: 1790 mm | Single: 2100 mm |
| Double: 2275 mm | Double: 1900 mm | Double: 1060 mm | | Double: 2100 mm |

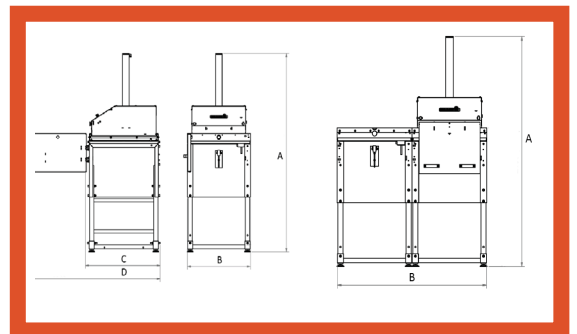
MACHINE WEIGHT

| TOTAL WEIGHT | PRESS UNIT | SINGLE STAND |
|----------------|----------------|----------------|
| Single: 240 kg | Single: 120 kg | Single: 120 kg |
| Double: 360 kg | | |

TECHNICAL SPECIFICATIONS

| BIN SIZE | CYCLE TIME | PRESS FORCE | NOISE LEVEL | PROTECTION CLASS | OPERATING POWER |
|----------|------------|----------------|-------------|------------------|---------------------------------|
| 360 L | 29 secs | 1.5 ton, 15 kN | 62.3 db (A) | IP 55 | Single Phase 230 V, 50 Hz, 10 A |

We reserve the right to make changes to specifications without prior notice. Bale/bag/bin weights are dependent upon material type.



ORWAK AB

Svetsaregatan 4
S-576 33 Sävsjö
SWEDEN
Tel: +46-(0)382-15700
info@orwak.com

ORWAK.COM

ORWAK
PART OF SULO GROUP