

## About Your Oklin Composter Unit

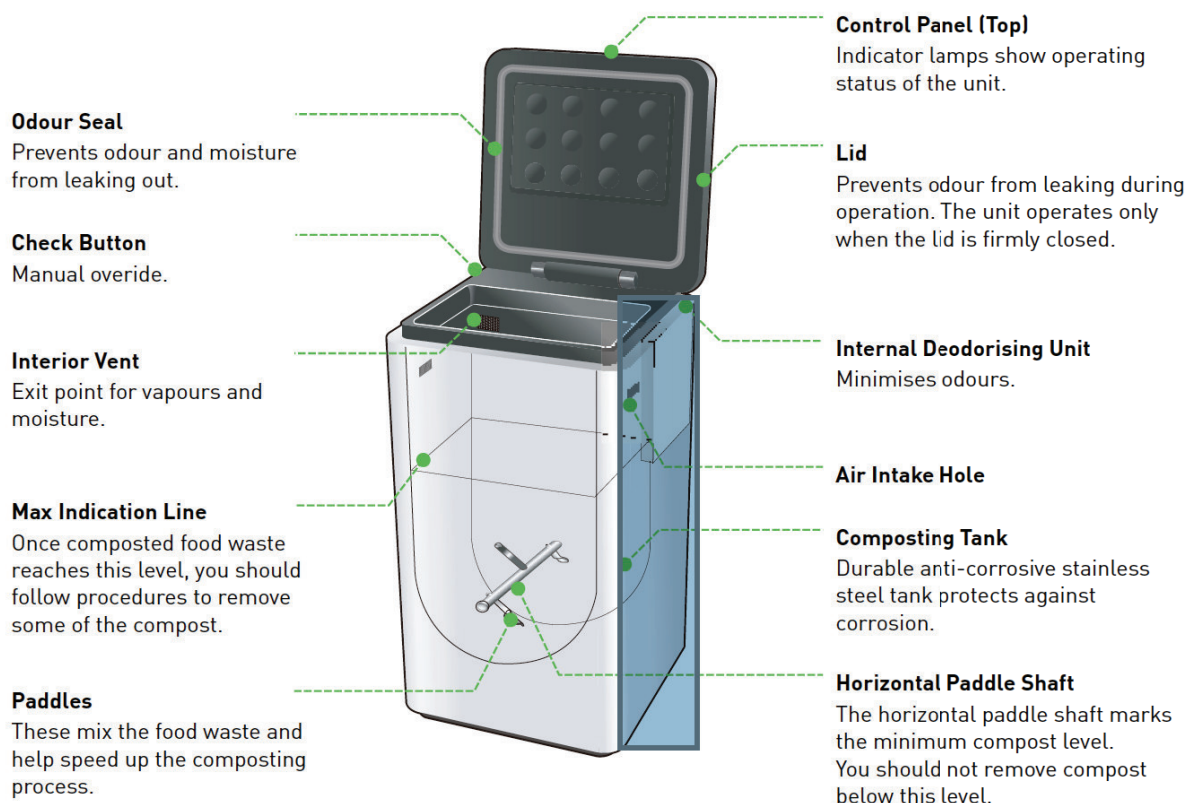
Your Oklin food organics composter uses an organic starter material to safely and cleanly decompose your food waste within 24 hours. It uses no chemicals or harmful products, and can process up to 4kg of food waste per day.

The heating, agitation and airflow applied automatically by the unit assist the naturally occurring microbes contained in the starter material to compost your food waste.

### Odour Prevention

Any offensive odours from food composting are eliminated by the deodorising unit contained within the composter, and any vapours and moisture are expelled through the exhaust hose. You may expect an earthy, not unpleasant odour when opening and closing the lid.

### General Description



## Important Safety Instructions



### ATTENTION:

As with all electrical appliances, serious injuries or fatal accidents can occur if the following instructions are not followed.



Do not carry out any maintenance or repair work other than that shown in this user guide.



Close supervision is required when using the unit near children.



Do not spray water onto the outside of the unit.

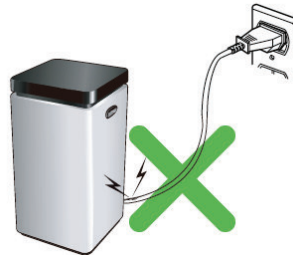


Keep children from climbing onto or jumping into the unit.



Do not operate the machine outdoors on wet surfaces or near water. Do not handle

the plug or unit with wet hands.



Do not place heavy materials or sharp objects onto the electrical power cord.



If the paddles inside the decomposition tank continue to rotate with the lid open, unplug the unit immediately and contact Oklin International.



Check to ensure your electricity supply is properly earthed and corresponds to that shown on the rating plate and this manual. The unit must only be used as rated.

## Important Safety Instructions



Do not lift or move the unit by yourself. The unit requires 2 people to lift.



Operate the unit on a flat, solid surface to avoid vibration or noise.



Do not clean the unit with flammable, combustible liquids such as gasoline, paint thinner, acetone or benzene



Do not try to manually rotate the paddles. Personal injury or damage to the unit may result.

This unit is not intended for use by persons (including children) with reduced physical, sensory or mental capabilities, or lack of experience and knowledge, unless they have been given supervision or instruction concerning use of the unit by a person responsible for their safety.

Children should be supervised to ensure that they do not play with the unit.

If the power cord is damaged, it must be replaced by a special cord or assembly available from the manufacturer or its service agent.

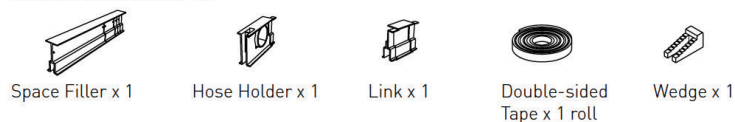
## Important Safety Instructions

Make sure you have all required components. If you are missing any components, please contact Oklin International at [info@oklin.com.hk](mailto:info@oklin.com.hk).

### Accessories



### Window Installation Kit



## Installation

### Before You Begin Installation

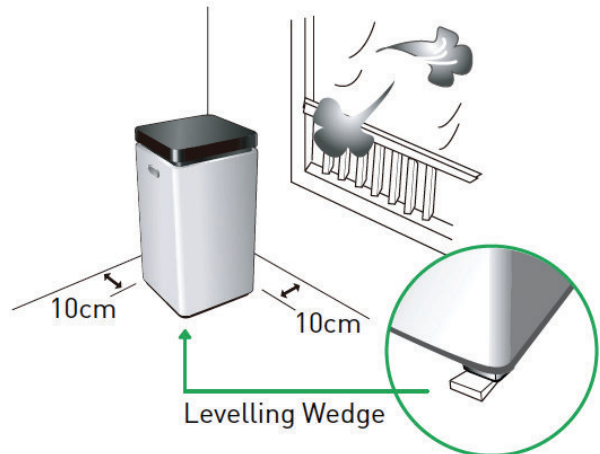
This unit is best installed indoors.

If outdoor installation is unavoidable,

- protect from rain, water and direct sunlight;
- maintain temperature between 0°C and 40°C.

Install on a flat, solid, level surface. If necessary, use the levelling wedge to prevent the unit from rocking on a sloping surface.

Allow a 10cm gap between the unit and any side or rear wall.



The unit connects to your normal household electricity supply. Ensure there is a properly earthed 3-pin power outlet nearby.

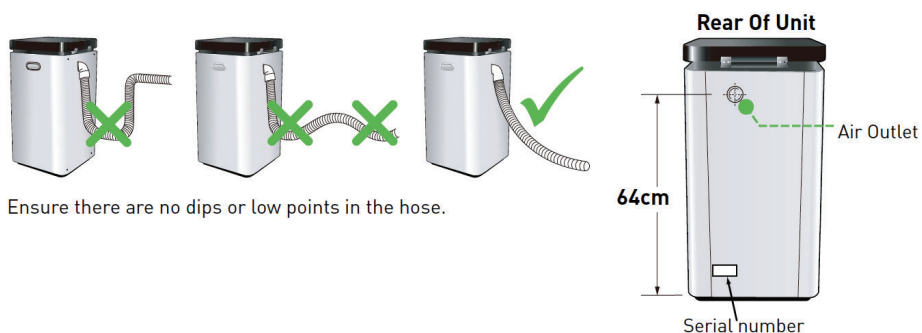
Record the serial number on the front page of this manual. The serial number can be found on the printed plate at the rear of the unit (see diagram below).

### Connect The Exhaust Hose (See options on page 6 & 7)

Attach the hose to the outlet on the rear of the unit using the elbow provided.

Terminate the exhaust hose as closely as possible to the air outlet. Keep the number of bends to minimum. If the overall length exceeds 2 meters, check for leaks. Ensure the hose continuously slopes along its entire length. If there are dips in the hose, moisture may accumulate and block the exit of vapours.

**Ensure hose is not directed upwards as condensation will stop the composting process.**



Ensure there are no dips or low points in the hose.

Note positions of exhaust outlet and serial number.

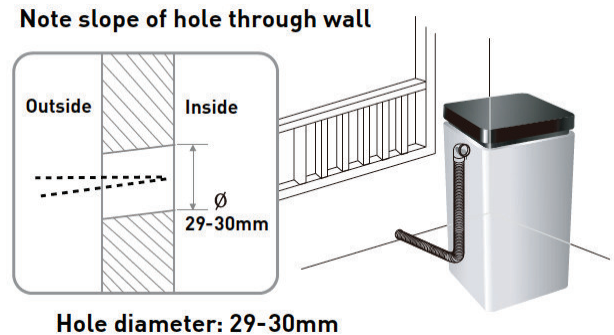
## Installation

### Installation 1 – Hose Through the Wall To Outside

Cut a hole in the wall approximately 29 – 30 mm in diameter. Ensure the hole allows the hose to slope downwards slightly.

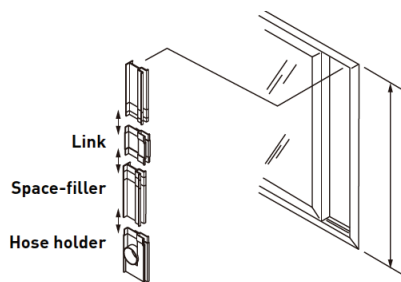
Feed the hose through the hole and place the cap over the end of the hose.

**Ensure hose is not directed upwards as condensation will stop the composting process.**

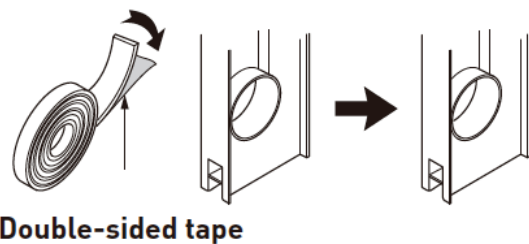


### Installation 2 – Hose Through the Window To Outside

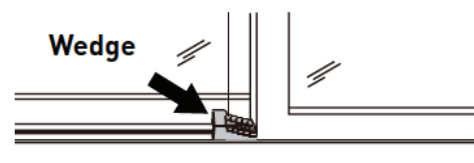
The unit comes with a window spacer kit which allows the hose to pass through a partially open window.



Assemble the pieces ensuring the piece with the hose cutout is at the bottom. Adjust the main blanking piece so the assembly takes up the full height of the window frame.



Secure the filler assembly to the window frame using the double sided tape.



Position the wedge to help secure the window.

Finally, feed the hose through the hole and ensure the cap is in place at the end of the hose.

**Ensure hose is not directed upwards as condensation will stop the composting process.**

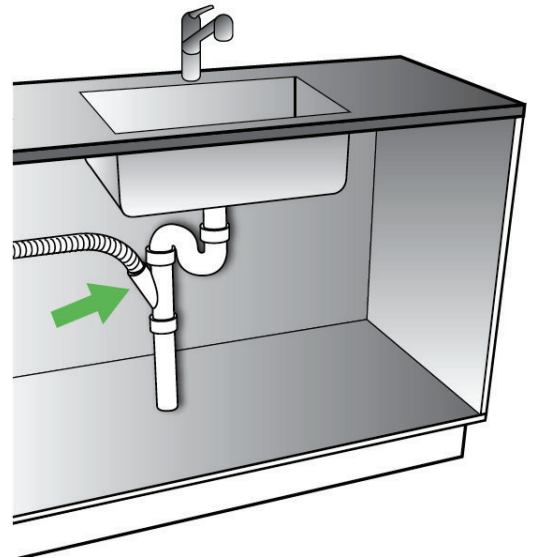
## Installation

### Installation 3 – Hose Into Pipe Work Under Sink

Note: This should be done by a licensed plumber.

If there is no suitable unused spigot available in the existing pipe work under the laundry or kitchen sink, install a section of pipe with an upward facing spigot immediately after the vapour trap as shown.

Insert the hose into the spigot and secure. The hose should rise above the level of the pipe bend to minimize the possibility of water returning to the unit.



### Setting Up For First Time Use

1. Ensure the unit is on a stable surface and the exhaust hose is properly connected.
2. Empty the two bags of organic starter material into the tank.
3. Pour 3 litres of cold or warm tap water into the tank.
4. Plug the unit into the power supply and turn on at the wall.
5. Close the lid. The power indicator will be illuminated.
6. Leave the starter material to establish itself for at least 24 hours before putting in any food waste.
7. The unit will take approximately 1–2 weeks to reach its normal operating efficiency.
8. Start gradually, adding only up to 1kg of food waste per day in the first week. Gradually increase amounts per day in the second week up to 2 kgs per day. From there on gradually increase up to full capacity of up to 4kg per day.

\*See below start up schedule for more details

## Using Your Food Waste Composter

### How To Use The Food Waste Composter

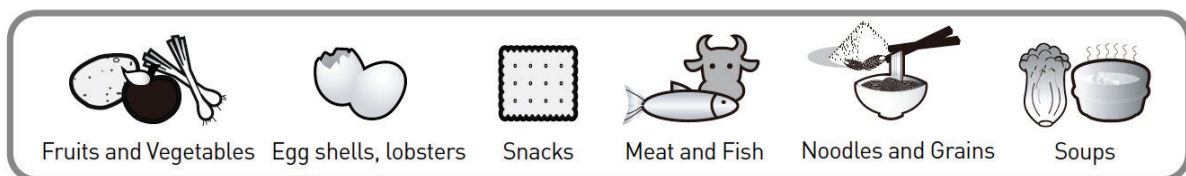
- Ensure the unit is plugged in and switched on at the wall.
- Simply open the lid, pour the food in, and close the lid again. You can do this whenever and as often as you wish. You do not need to wait for food to finish composting before topping up.
- Once the lid is closed, the unit will automatically continue operation. Over time, the paddles will rotate, the unit will heat up, and the fan will operate automatically to help accelerate the composting process. The unit may emit steam during this time when the lid is opened.

### What You Can Compost

Basically you can compost anything that you can eat, cooked or raw, including:

- Meat and fish
- Small bones such as fish and chicken bones
- Fruit and vegetables
- Egg shells and most seafood shells such as lobster and mussel shells
- Bread, crackers, grain foods
- Fast foods
- Dairy foods

To obtain optimum results chop up larger pieces of food to allow the food to compost more quickly.



### What You Should NOT Compost

Avoid placing hard food items in the composter such as:

- Large bones
- Oyster or scallop shells

Do not compost:

- Waste Cooking Oils
- Waste Cooking Fats

Also, you should not compost non-food material, even if it is biodegradable, such as:

- Medicines
- Wood (eg chopsticks, matches)
- Paper or cigarettes
- Cloth



# Using Your Food Waste Composter

## Understanding The Control Panel



### Power Indicator

The power lamp will remain on while the machine is plugged in and switched on at the wall.

When you open the lid, the power lamp will start flashing and the paddles will stop turning.



### Power Saving Mode Indicator

The composter will enter Power-Saving mode once the decomposition process has been completed or the decomposer has not been used for a while.



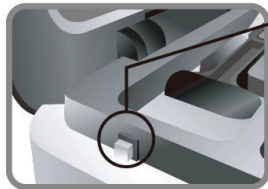
### Operation Indicator

This lamp indicates that the unit is actively composting material. During this time, the paddles will automatically rotate from time to time.



### Check Indicator

This indicator lamp will flash with an alarm sound when the unit is overloaded, or an un-decomposable material has been placed in the tank. If this occurs, simply unplug the unit and remove the foreign material or excess food. When you close the lid, the composter will resume normal operation once it is plugged back in and switched on at the wall.



### Check Button

The Check button is used as a manual override to break up large food items.

**Ensure your fingers are completely away from the inside of the unit.**

Open the lid and keep the Check button depressed. After 3 seconds, all four controls panel indicators will start blinking, an alarm will sound and the paddles will start rotating to break up larger food items.

As soon as you lift your finger from the Check button, the paddles will stop.

## If Excess Water Develops In The Tank

Occasionally, excess liquid will collect in the tank. The unit is designed to get rid of moisture over time. Simply do not put any further waste into the unit until the moisture has dissipated.

## Switching Off Oklin Composter

Oklin's Composter is designed for continual use and does not need to be switched off unless being left for an extended period of time.

When composting is complete, the unit will automatically switch to power save mode.

In this mode, the paddles will operate from time to time to ensure that the compost does not harden.

If the unit is switched off at the wall, and the paddles are not operating, it is possible that the compost will harden. This may cause damage to the unit and prevent further use.



**If the unit is being left unused for an extended period of time and you wish to turn the power off, please follow these precautions:**

- Ensure no un-composted food is evident.
- Ensure at least 24 hours has passed since the last amount of food waste was loaded.
- Remove all compost from the machine.
- Reserve a \*minimum amount in an airtight plastic container.

\*The minimum amount (10 litres) is the volume between the horizontal paddle shaft and the bottom of the tank.

**To restart the unit:**

- Load the previously reserved compost into
- the composter. Take care to break up any pieces that may have hardened.
- Add 1–2 litres of cold or warm water and switch the unit on at the wall.
- Wait 24 hours.
- Start adding food waste gradually, adding only up to 1kg of food waste per day during the first week. Follow the instructions on page 6 of the Operating Manual, “Setting Up For First Time Use” to gradually increase the daily amount of food waste deposited each week.

## Using Your Food Waste Composter

### Breaking Up Compost For Removal

It may be necessary to break up dried compost for ease of removal. To do this, open the lid, then press and hold the Check button down for 3 seconds. This will operate the paddles.

**Warning:** Keep your fingers away from the inside of the unit while the paddles are rotating. As an added safety feature, the paddles only rotate while the Check button is held down. During this time, all 4 control panel indicators will light up, and the alarm will sound.

The paddles will rotate for a maximum of 1 ½ minutes, after which time they will stop, and the On/Off button will flash.

Repeat this procedure until the compost can be easily removed with the scoop provided.

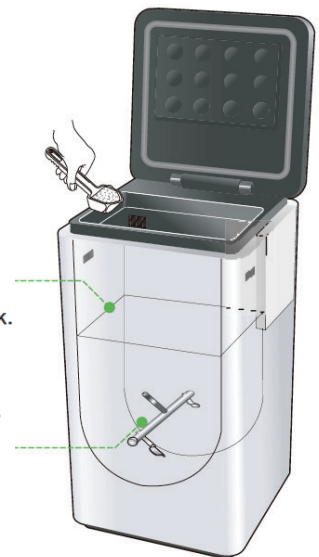
### Removing Compost

- You should never completely empty your Organic Composting Unit. If you do completely empty the unit, you will remove all vital microbes, and prevent the unit from working.
- When the composted waste level reaches the MAX indicator line, do not put any new waste in, and do not remove any compost for 24 hours. This will allow all food material to complete the cycle.
- Turn the unit off, and unplug the unit from the wall.
- Scoop part of the composted material out, down to the horizontal paddle shaft.
- You may now continue adding food waste.

**Important:** Ensure that enough material is left in the tank to keep the paddle shaft covered. NEVER remove compost below the horizontal paddle shaft. This amount of compost remaining in the tank is essential for the unit to continue operation.

**Max Indication line**  
The top of the stainless steel part of the unit's tank.  
Remove some compost when the amount of compost reaches this line.

**Horizontal Paddle Shaft**  
Do NOT remove compost below this shaft.



## Using The Compost In Your Garden

Take care when applying the composted material to your garden. It is mildly acidic, and contains salt compounds. Material directly from your Organics Unit is not a growing medium in its own right, therefore should not be planted in directly.

Generally the material is comparable in strength to poultry manure and as such should be treated similarly.

Spread at a low rate and incorporate well into soil.

For direct use, spread around a 5mm layer per square metre and dig in to around 5–10cm of the top layer of soil. The addition of lime at a rate of 1kg per square metre would also be beneficial if the soil is not naturally high in pH (>7pH).

Alternatively, the material can be incorporated with garden organic waste for further composting.

A mix of 30–50% material from the Organics Unit with other materials (dry leaves, and grass clippings etc..) would be suitable.

You should also note that composted material may contain seeds that may sprout in your garden.

### Storing Compost

Compost can be stored in plastic or nylon bags, in a cool, dry location away from direct sunlight, for up to 2–3 years. Ensure the compost is free of excess moisture before placing into bags.

Punch a few holes in the bag to allow moisture to escape.

Keep the bags away from rats, birds and pets

### Handling Compost

Important: Just like composts, mulches and fertilisers that you can purchase from your local nursery or garden supplier, the composted material from your machine should be treated with the same care as these also contain micro-organisms.

The following HEALTH WARNING applies:

- When handling compost you should avoid breathing its dust or mists.
- Wear a particulate mask if it is dusty.
- Wear gloves and keep the product moist when handling.
- Wash your hands immediately after use.

## Cleaning and Maintenance

### Cleaning

To clean the Organic Food Composter:

- Turn the unit off and unplug from electrical outlet before cleaning.
- Scrape excess residue from the inside tank walls using a plastic scraper or spatula.
- Do not remove compost from below the minimum level of the horizontal paddle shaft.
- Use soapy water and a damp cloth to wash down the outside. Do not use flammable or combustible liquids, such as gasoline, benzene, acetone or paint thinner to clean the machine.

### Checking The Hose

It is advisable to occasionally check that the exhaust hose is clear to allow composting vapours (mainly water vapour and carbon dioxide) to vent to the outside.

- Turn the unit off and unplug from electrical outlet.
- Open the lid and clean the exhaust vent with a brush.
- Check that the cap is not blocked by residue, lint or spider webs.
- If possible, check that the hose is clear along its length.



Scrape excess residue from the inside tank walls using the scraper supplied.



Clean the exhaust vent periodically with a brush.

## Troubleshooting

The following gives some answers to the most common concerns while using the Organic Food Composter. If any problem persists after trying these suggestions, you should contact Oklin International at [info@oklin.com.hk](mailto:info@oklin.com.hk) or your local sales representative.

Issues	Possible Cause	Solution
The power indicator continues to blink	The lid may not be closed properly	Close the lid firmly
The check lamp continues to blink and warning alarm sounds even during normal operation	Something is preventing the paddles from rotating, eg the contents may be too dry, or there may be large objects in the tank.	Turn the unit off, open the lid and either add some water, or remove the large objects.
The power, Operating and Power Save Indicators continue to blink	The heating system may be malfunctioning.	Turn the unit off, open the lid and either add some water, or remove the large objects.
The power, Operating Indicators continue to blink, and the paddles turn even while the lid is open.	There may be an electronic or sensor failure.	Contact Oklin International
The unit will not start	There may not be power to the unit.	Contact Oklin International
	The lid may not be closed properly	Close the lid firmly
The unit makes a loud grinding noise	Large pieces of food scraps may be scraping on the inner surface of the tank.	Turn the unit off, open the lid and remove any large pieces. Cut them into smaller pieces before replacing.
Composting takes too long	The exhaust hose may be clogged	Check the interior exhaust vent and clear if necessary
	The exhaust fan may not be working	Contact Oklin International
	The heating system may be out of order	Contact Oklin International
Odour is released from the exhaust hose	The exhaust hose may be clogged.	Check the hose and clear if necessary
	The exhaust hose may be loose, or the lid may not be secured	Hook up the hose firmly to the unit. Use silicone sealant if necessary.
Water drops form on the inside of the lid	The exhaust hose may be clogged or installed incorrectly	Check the hose and ensure it is not directed upwards
	The contents of the tank may be too wet	Do not place any more food in the unit for 1–2 days
	The exhaust fan may not be working	Contact Oklin International